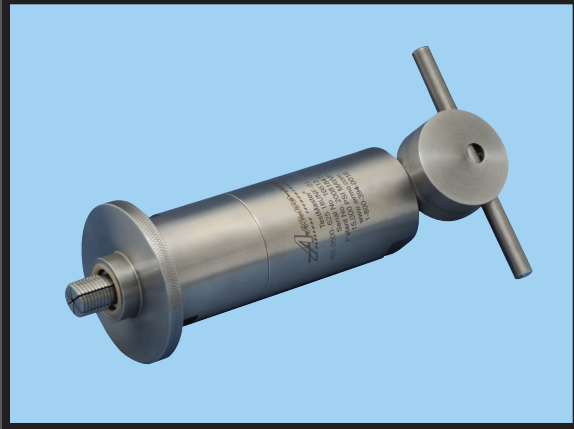


"UNPARALLELED PERFORMANCE AND SAFETY UNDER PRESSURE!" [®]



TestMaster[®]

Model 350 Series Hydrostatic Bottle and Cylinder Test Tools

- Pressures up to 15,000 psi (1,034 bar)
- 0.50 in. to 0.88 in. ID (12.7 mm to 22.4 mm ID)
- Collet grip on threaded ID
- Manually operated preload
- Seals on face of fitting opening
- Custom sizes available

DESCRIPTION

The patented TestMaster[®] Model 350 Series Hydrostatic Bottle and Cylinder Test Tool offers fast coupling and positive sealing for production pressure testing of bottles, cylinders, tanks, and other components with an internally-threaded port.

The key advantage of the Model 350 Tool is the proprietary collet design that engages the test article threads without marking or deforming them. This tool provides positive sealing on the end face of the internally-threaded port. Pressure compensation in the tool increases the sealing force, ensuring the collets remain engaged with the component threads, which eliminates the need for additional safety devices.

The Model 350 Series Tool comes in standard and metric sizes from 0.50 in. to 0.88 in. (12.7 mm to 22.4 mm) in diameter. Special sizes and tool configurations will be considered upon request.

OPERATION

Connecting the Model 350 Tool to the test article is easy. Start by retracting the tool collets and insert the front end of the tool into the test article port. Next, rotate the handle 180° to engage collets, then turn sleeve to make a snug seal with the test article. The tool is now ready for pressurization to desired level, **but not to exceed maximum operating pressure**. After the test is complete, the test pressure is released to 0 psi allowing the tool to be removed by reversing the connection procedure.

APPLICATION

The TestMaster[®] Model 350 Series Hydrostatic Test Tool can be used in testing applications with working pressures up to 15,000 psi (1,034 bar). This tool conforms to military, nuclear, automotive, and aerospace testing specifications such as API, ASTM, ASME, ISO, DIN, and BS. The Model 350 tool can be utilized in either semi-automated or manual test systems depending on the test piece port size and type.

MATERIALS

Wetted Parts: Heat-treated, stainless steel

TOOL CONFIGURATION

Collet Grip: On internal threads
Grip Actuation: Handle-operated
Sealing: On end face
Seal Actuation: Rotatable sleeve

OPERATING CONDITIONS

Maximum Pressure: 15,000 psi (1,034 bar)
Temperature: 32° F to 120° F (0° C to 49° C)
Services: Water, oil, gas, or other liquids on request
Nominal Thread: 0.50 in. to 0.88 in. (12.7 mm to 22.4 mm)
Thread Type: UN, NPT, and others

MAXIMUM PRESSURE
15,000 psi
1,034 bar

TestMaster®

Model 350 Series

Hydrostatic Bottle and Cylinder Test Tools

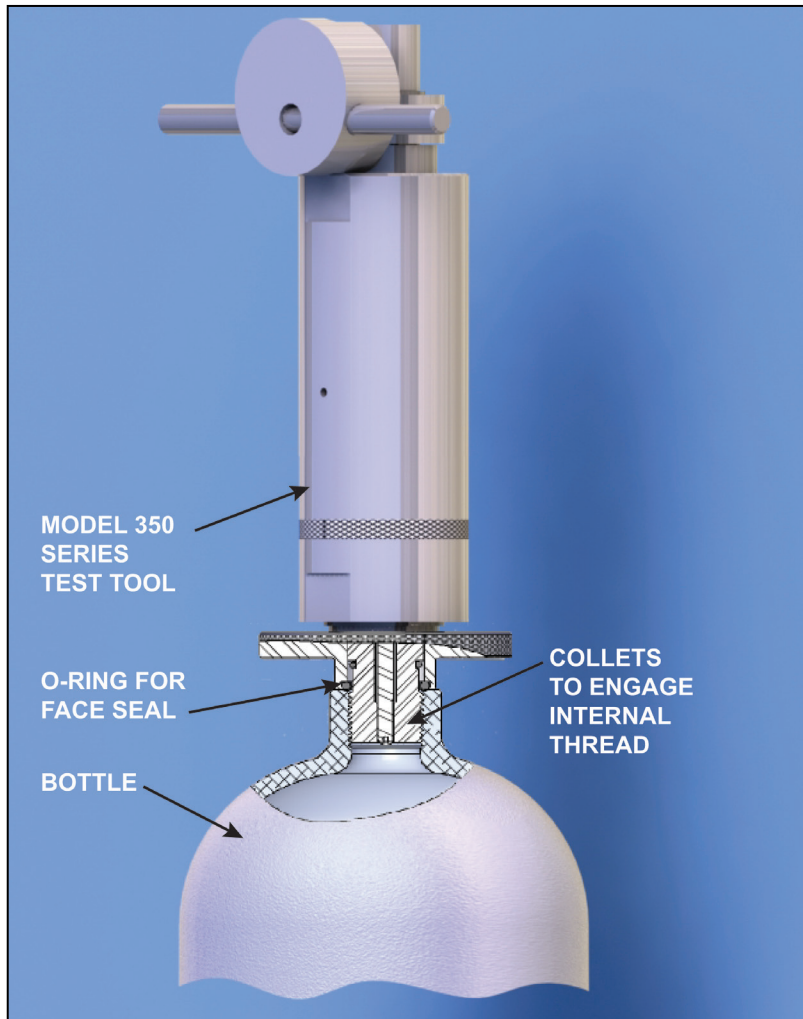


Figure 1. Cut-away view of Model 350 Series Test Tool inserted in bottle.

FEATURES

- Full-flow, high pre fill rate
- Non-marking collet design
- Special collet design locking principle
- Handle collet release for fast tool removal
- Pressure-compensated design
- Compact, balance design
- Precision-machined from heat-treated stainless steel
- Designed for test applications

BENEFITS

- Decreases cycle time
- Prevents damage to threads and eliminates scrap
- Accommodates shorter lengths
- Increases production throughput
- Contains all high-pressure loads for safe operation
- Reduces operator fatigue
- Provides long, trouble-free service
- Tools can be used with different test media



AIRMO, INC. 9445 Evergreen Blvd. NW, Minneapolis, MN 55433-5840 USA

PHONE: 1(763) 786-0000 or 1(800) 394-0016 | FAX: 1(763) 786-4622 | EMAIL: airmo@airmo.com | WEBSITE: www.airmo.com

S108.F.0520 © 2020 All Rights Reserved. Contents subject to change. All trademarks are the property of their owners.