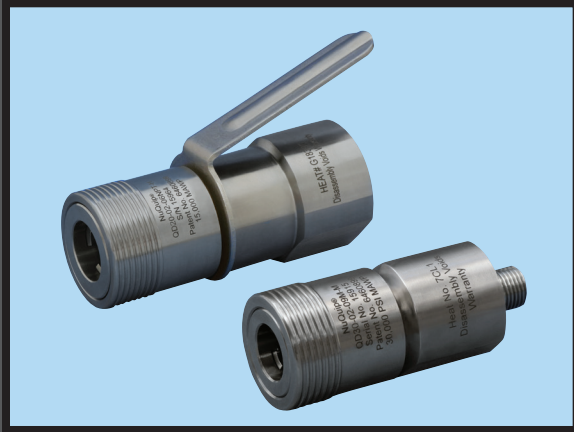


“UNPARALLELED PERFORMANCE AND SAFETY UNDER PRESSURE!”[®]



NuQuip[®]

Model QD Series High-Pressure Quick Disconnects

- Pressures up to 60,000 psi (4,137 bar)
- Multiple port and seal options
- Unique self-locking design
- Valved and non-valved versions
- Low pressure drop
- Optional handle eases automated coupling and de-coupling

DESCRIPTION

The patented NuQuip[®] Model QD Series High-Pressure Quick Disconnect coupling is designed for applications with working pressures up to 60,000 psi (4,137 bar). Standard port options are either medium pressure or high-pressure, with a variety of other ports available depending on the application.

These couplers are offered in either a valved or non-valved version. The high-flow check valve design allows for minimal pressure drop. The self-locking design increases operator safety in portable hand tool applications.

PRESSURE RATINGS

Model	Maximum Working Pressure*		Port Size	Port Type
	psi	bar		
QD20	10,000	690	3/4" - 1"	NPT
	15,000	1,034	1/4" - 1/2"	NPT
	20,000	1,380	3/8" - 1"	M/P
	20,000	1,380	9/16" - 1"	Type M
	20,000	1,380	3/8" - 5/8"	MS
QD30	15,000	1,034	1/4" - 1/2"	NPT
	20,000	1,380	1/4" - 1/2"	MS
	20,000	1,380	1/4" - 3/4"	M/P
	30,000	2,068	9/16" - 1"	Type M
	30,000	2,068	1/4" - 9/16"	H/P
QD60	60,000	4,137	1/4" - 9/16"	H/P

* Maximum working pressure is dependent on port size and port type.

LEGEND

Type M = Cone seal common on high-pressure hoses

NPT = National Pipe Thread **MS** = Military Specification MS33649 (O-ring boss)

M/P = Medium-pressure **H/P** = High-pressure

APPLICATION

The NuQuip[®] Model QD Series High-Pressure Quick Disconnect is constructed from stainless steel, making these quick release couplings ideal for hydrostatic testing, blasting, water-jet, and off-shore applications.

MATERIALS

Wetted Parts: Heat-treated, stainless steel

OPERATING CONDITIONS

Maximum Pressure: 60,000 psi (4,137 bar)

Temperature: -350° F to 600° F (-212° C to 316° C)

(Actual range depends on seal material used.)

Services: Water, oil, liquid nitrogen, other fluids, and gases

FLOW CHARACTERISTICS

Model	Minimum Orifice		Flow Coefficient		Port
	Inches	MM	Cv*	Kv**	
QD20	0.56	14.3	5.47	4.9	1" M/P
QD30	0.31	7.9	1.92	1.7	9/16" M/P
QD60	0.19	4.7	0.41	0.4	9/16" H/P

* Cv: The flow of water through a valve at 60° F in US gallon/minute at a pressure drop of 1 psi.

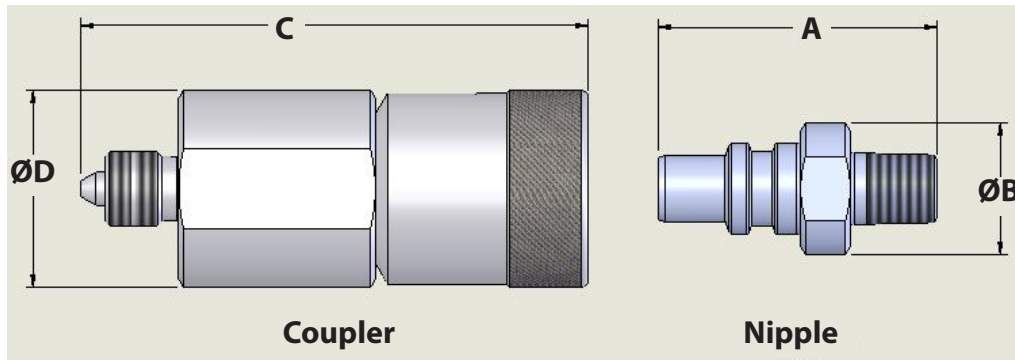
** Kv: The flow of water with temperature ranging 5° C to 30° C through a valve in cubic meters per hour (m³/hr) with a pressure drop of 1 bar.

MAXIMUM PRESSURE
60,000 psi
4,137 bar

NuQuip®

Model QD Series
 High-Pressure Quick Disconnects

Model QD Series Dimensions



Model	Dimension A				Dimension B				Dimension C				Dimension D			
	Inches		MM		Inches		MM		Inches		MM		Inches		MM	
	Min.	Max.	Min.	Max.	Min.	Max.	Min.	Max.	Min.	Max.	Min.	Max.	Min.	Max.	Min.	Max.
QD20	2.50	5.40	63.5	137.2	1.38	2.13	34.9	54.0	4.94	5.48	125.5	139.2	2.13	2.13	54.0	54.0
QD30	1.82	3.62	46.3	91.9	1.00	1.63	25.4	41.3	3.62	4.12	92.0	104.6	1.50	1.63	38.1	41.3
QD60	2.38	3.97	60.3	100.7	1.00	1.13	25.4	28.6	3.85	4.11	97.7	104.3	1.50	1.50	38.1	38.1

*The above dimensions are approximate and for reference only.
 Assemblies using adaptors or Quick Disconnects with handles not included in table data.
 Fitting dimensions vary with size and type of port, as well as check valve choice.*

FEATURES

- Working pressures up to 60,000 psi (4,137 bar)
- Multiple port and seal options
- Wide range of operating temperatures
- Unique self-locking design
- Precision-machined from heat-treated stainless steel
- High-flow check valve design
- Optional handle

BENEFITS

- Medium-pressure and high-pressure options
- Component can be used with different test media
- Use in extreme cold or high heat applications
- QD will not disconnect under pressure
- Provides long, trouble-free service
- Minimal pressure drop
- Eases automated coupling and de-coupling



AIRMO, INC. 9445 Evergreen Blvd. NW, Minneapolis, MN USA 55433-5840

PHONE: (763) 786-0000 FAX: (763) 786-4622 EMAIL: airmo@airmo.com WEBSITE: www.airmo.com